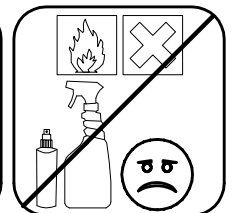
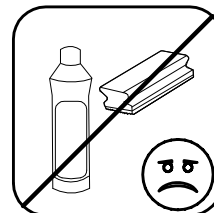
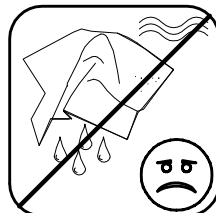
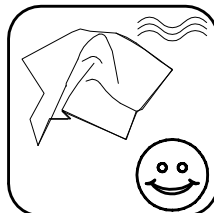
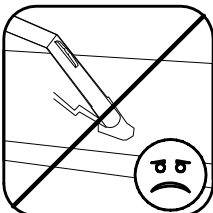
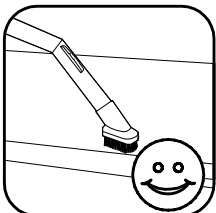
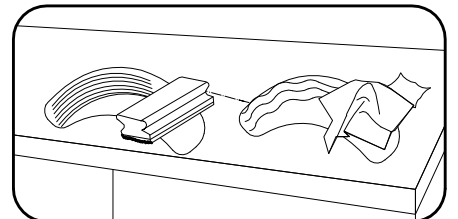
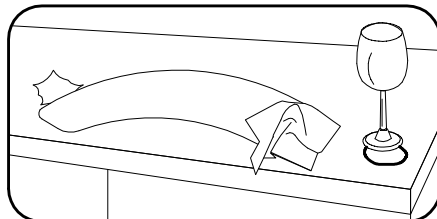
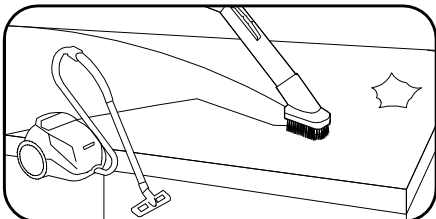
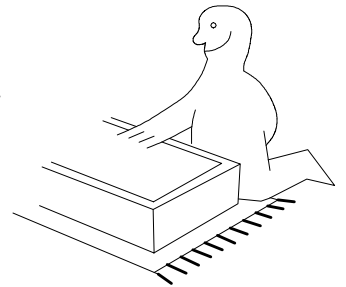
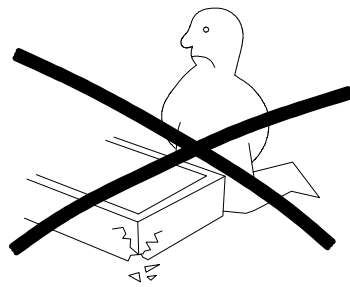
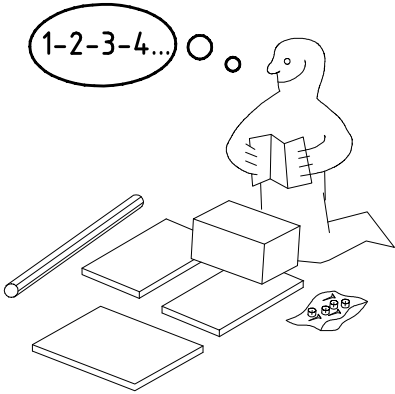
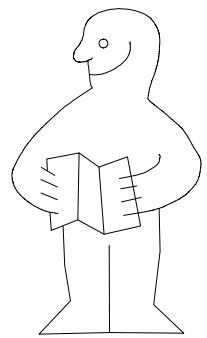
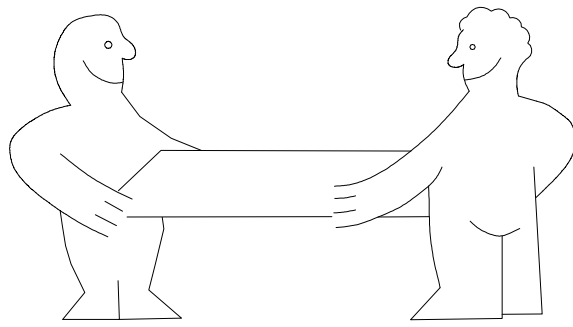
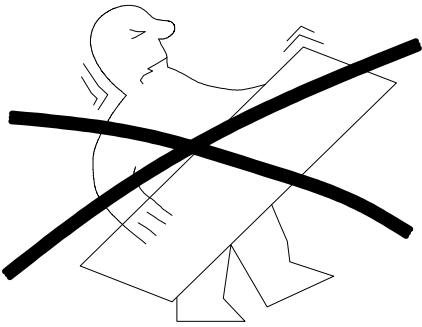
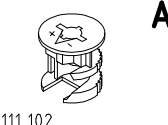
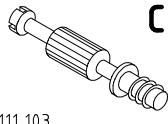
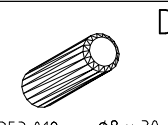


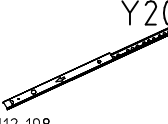
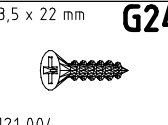
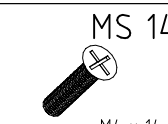
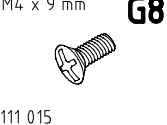
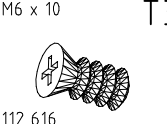
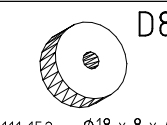
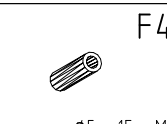



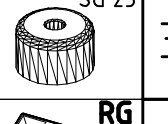

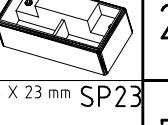
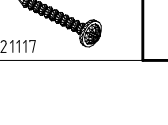
705

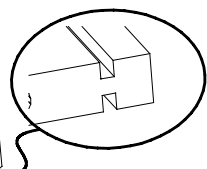
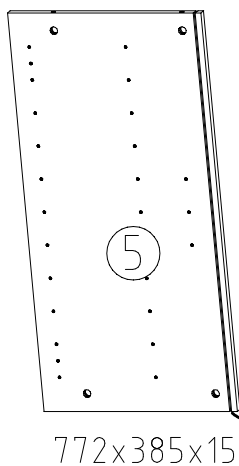
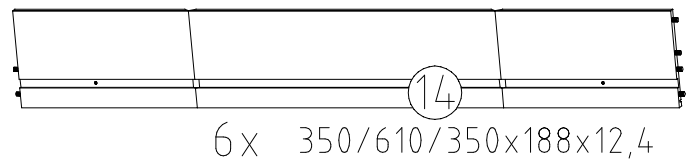
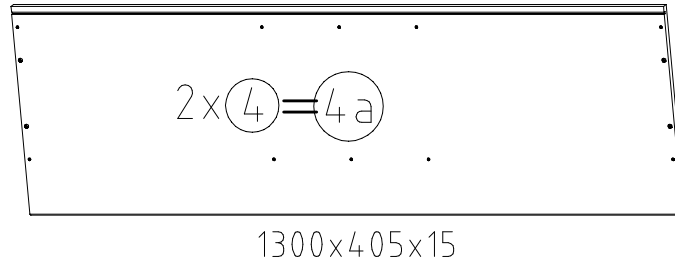
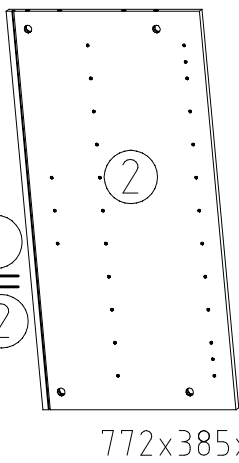
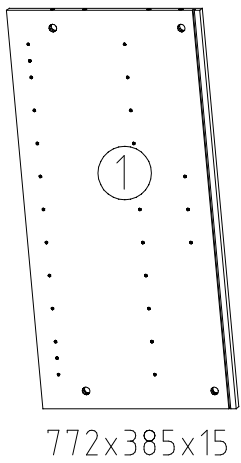
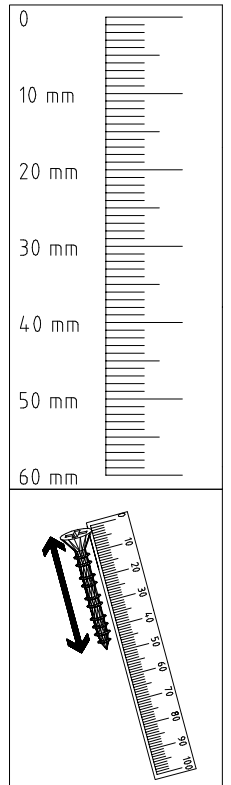
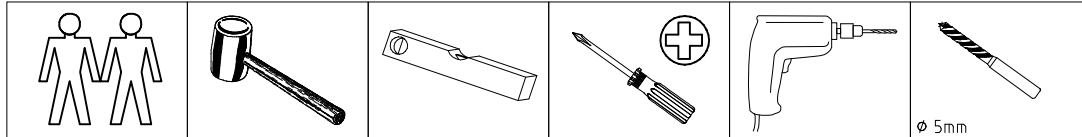


 111 102	<b>A</b> 12x
 111 103	<b>C</b> 12x
 353 018 $\varnothing 8 \times 30$	<b>D</b> 8x
 163 007	<b>Z</b> 4x

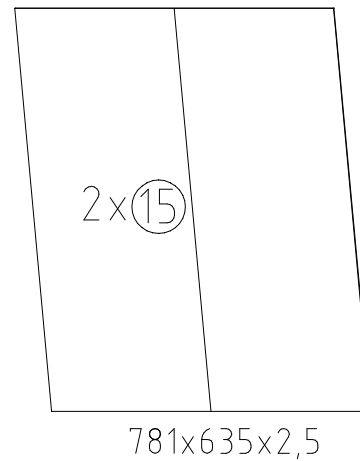
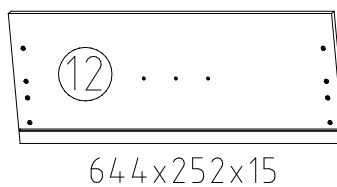
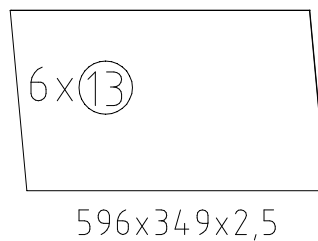
 SBV	4x
 112 198 3,5 x 22 mm	<b>Y20</b> 12x
 121 004	<b>G24</b> 6x
 121 010 M4 x 14	<b>MS 14</b> 12x

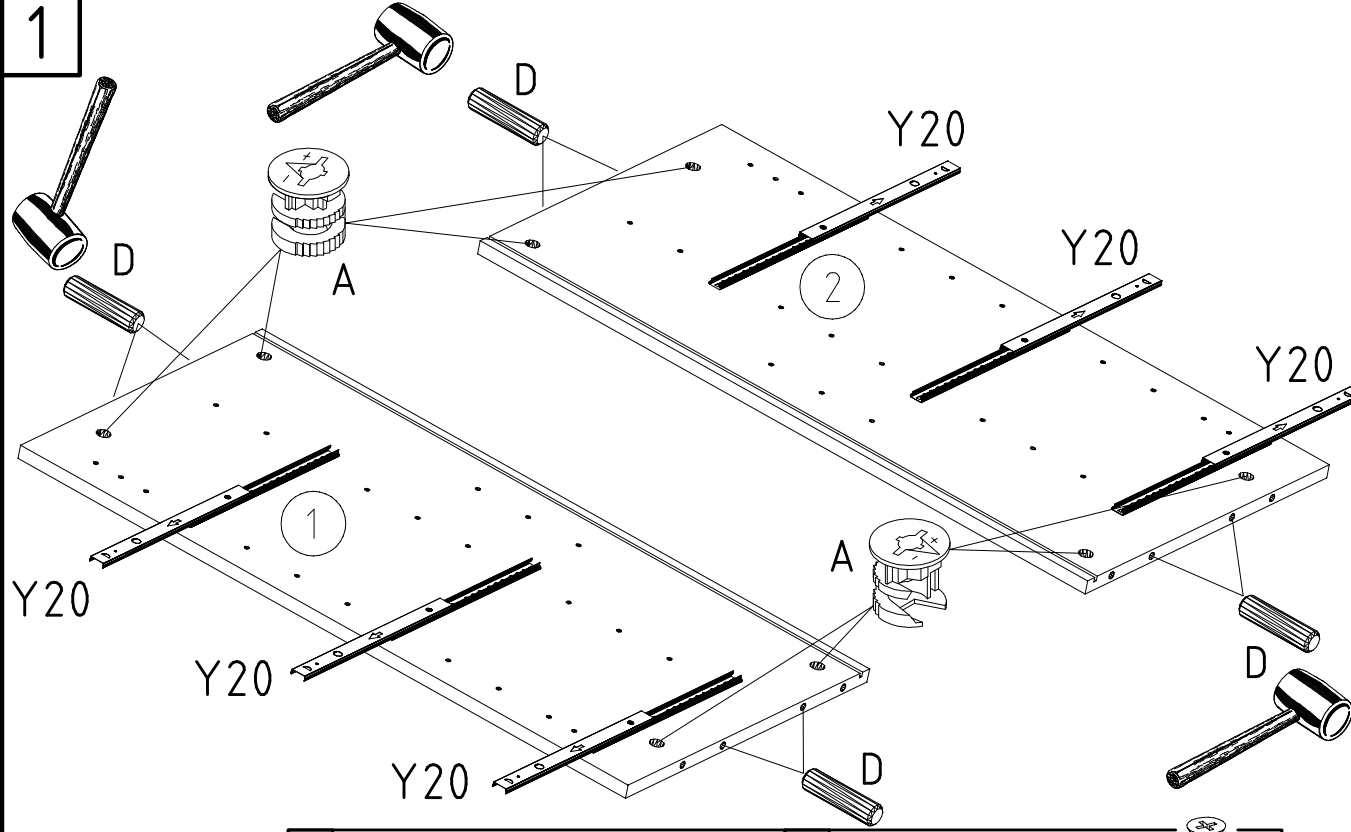
 111 015	M4 x 9 mm <b>G8</b> 12x
 112 616	M6 x 10 <b>T3</b> 12x
 111 152 $\varnothing 18 \times 8 \times 4$	<b>D8</b> 18x
 111 xxx $\varnothing 5 \times 15 \times M4$	<b>F4</b> 6x

 121117	SG 25 5x	 121117	SG 25 3x
 121117	4 X 23 mm SP23 5x	 121117	<b>RG</b> 2x
		 121117	4 X 23 mm SP23 7x

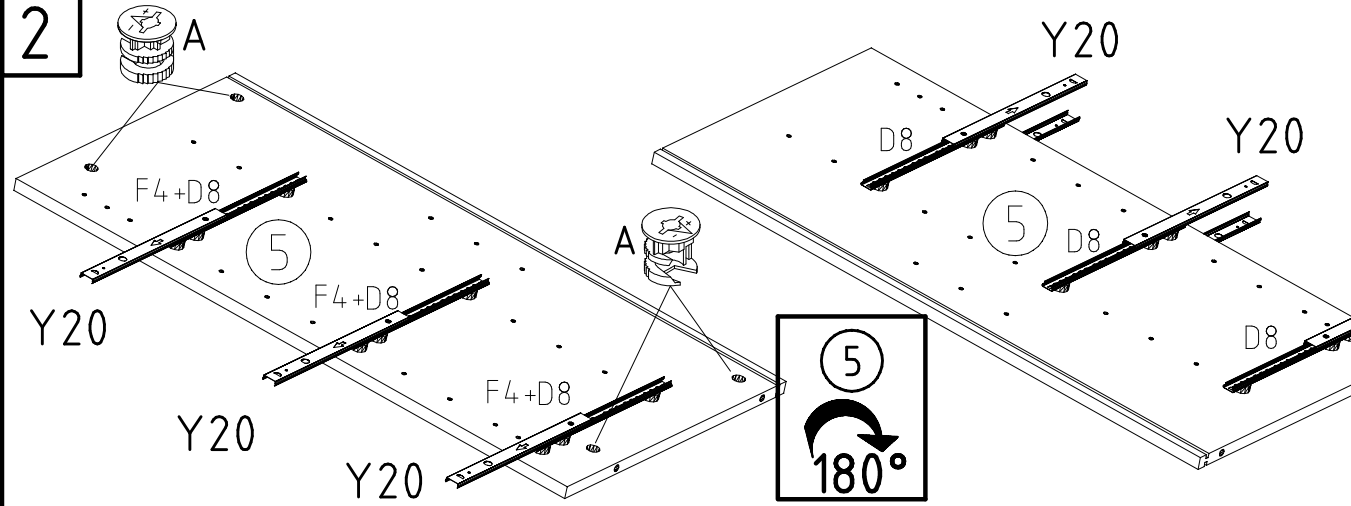
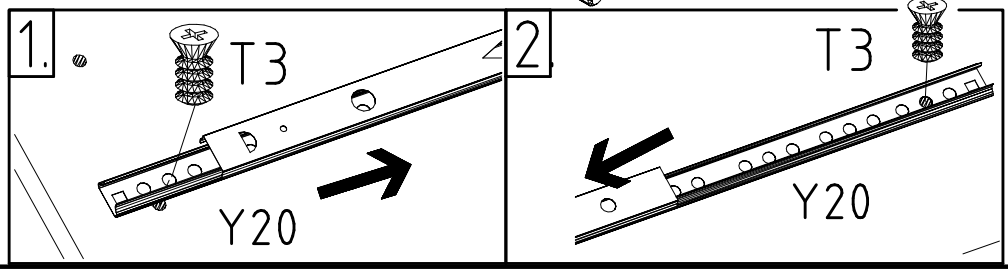


6x

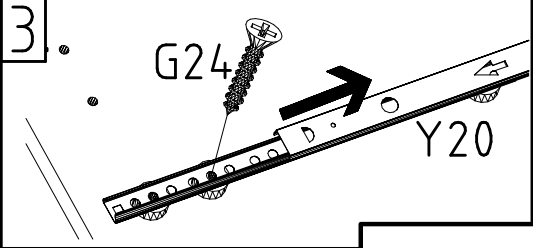
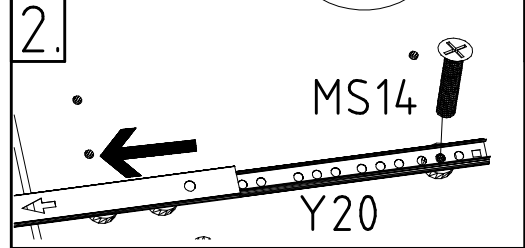
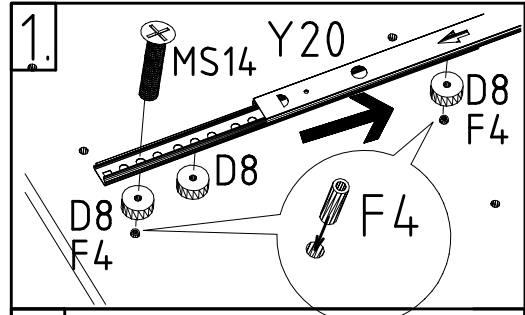




	D
353 018 $\varnothing 8 \times 30$	Y20
112 198 M6 x 10	T3
112 616	
111 102	A

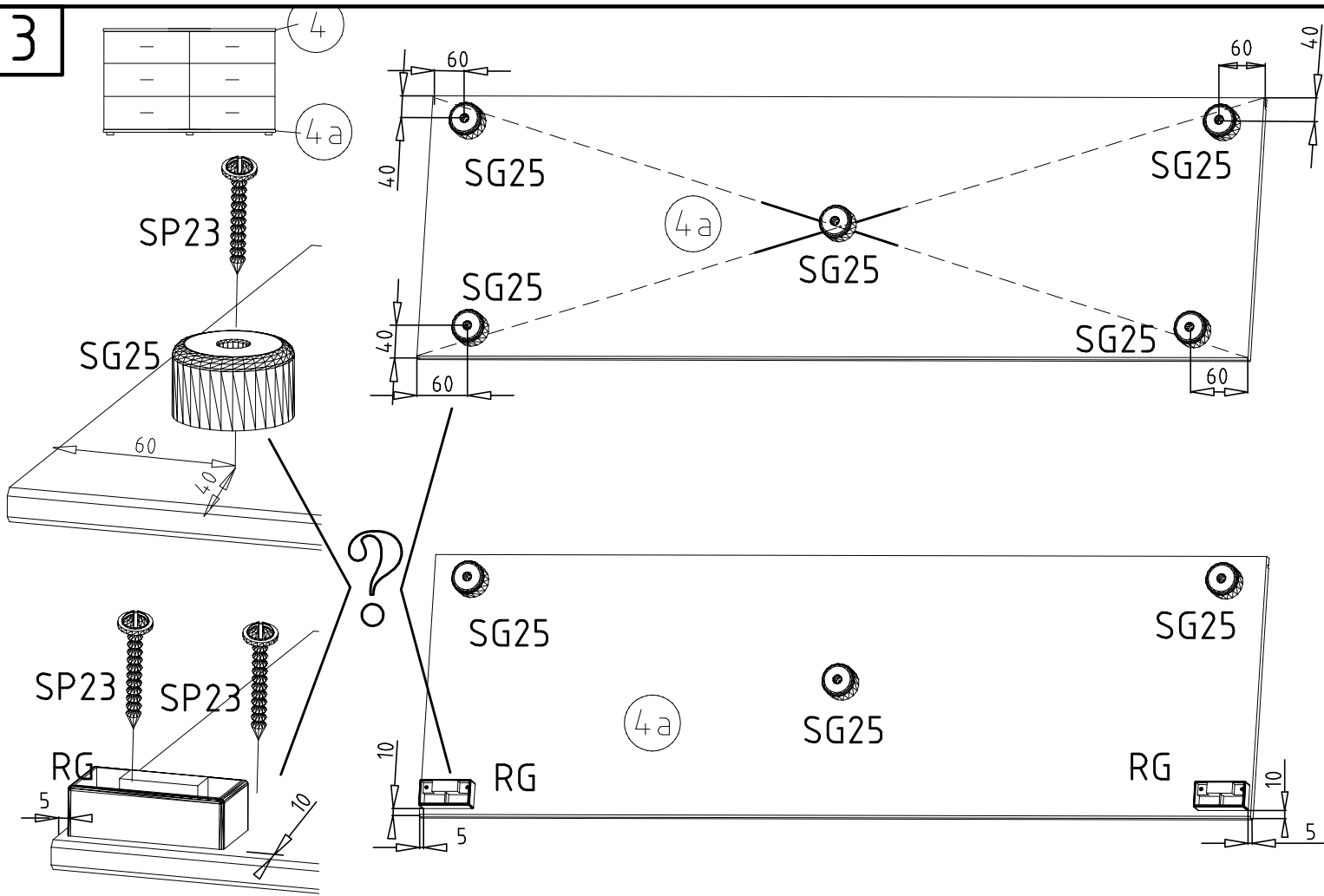




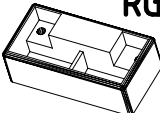
--	--



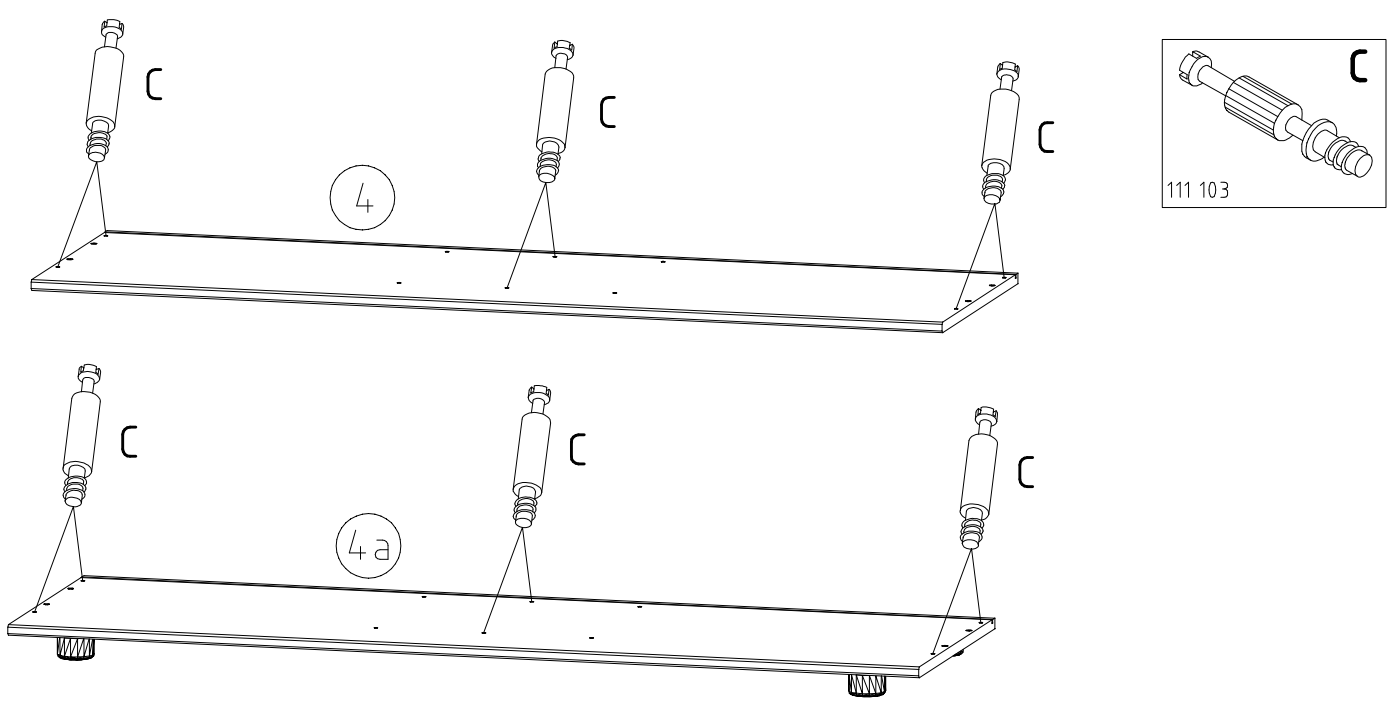
	A		Y20
111 102		112 198	
	F4		D8
111 xxx $\varnothing 5 \times 15 \times M4$		111 152 $\varnothing 18 \times 8 \times 4$	
	MS 14		G24
121 010 M4 x 14		121 004	

3

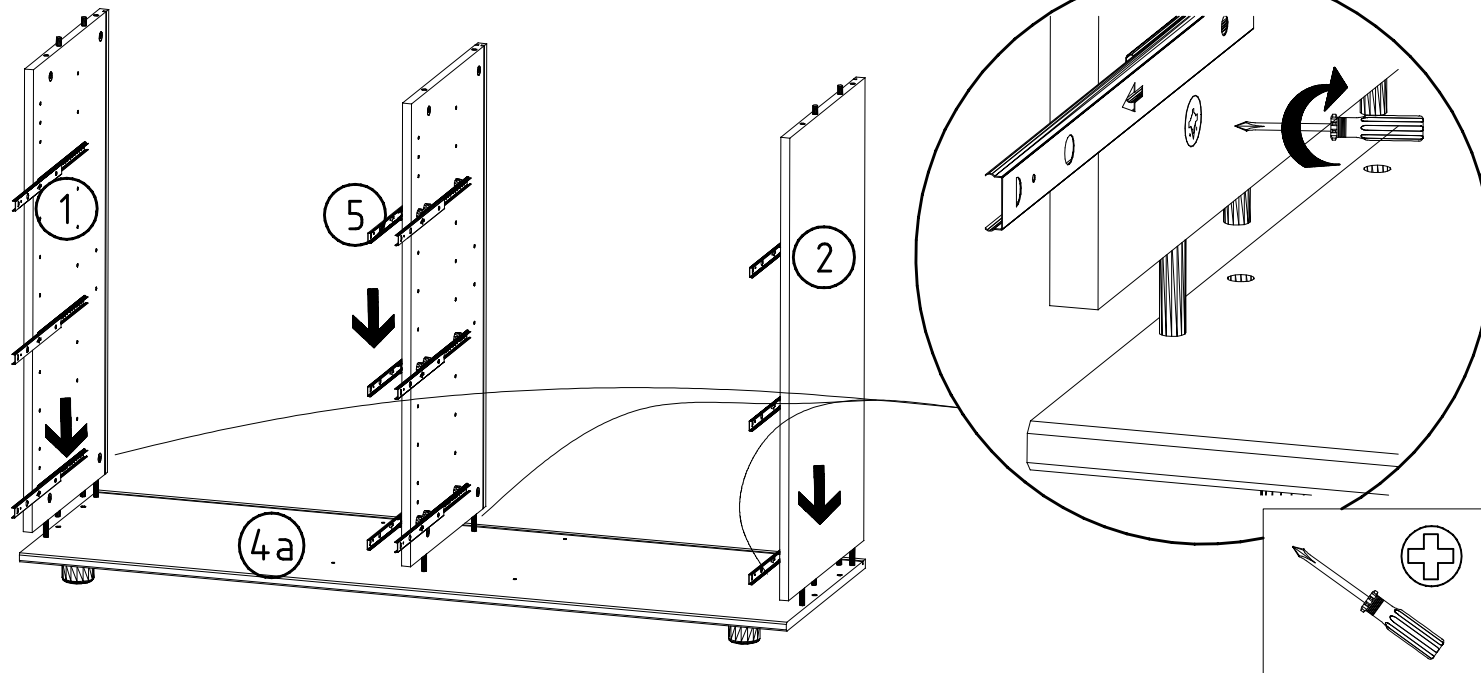


 <p>SG 25</p>	<p>4 X 23 mm SP23</p>  <p>121117</p>	 <p>RG</p>
--	---	---

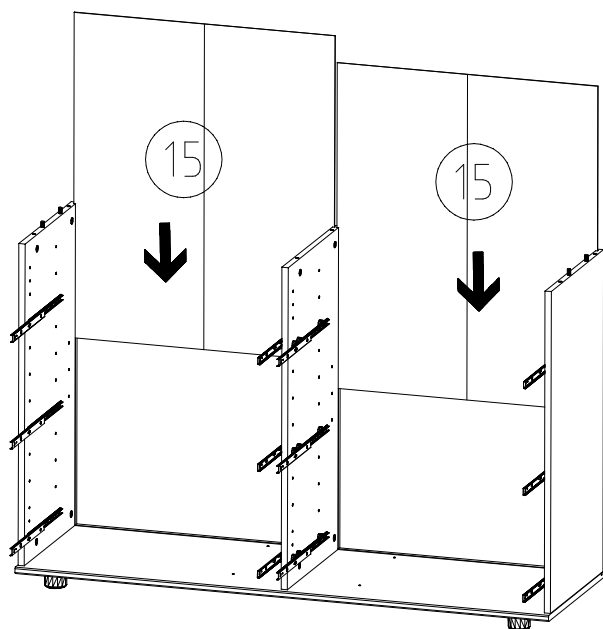
4



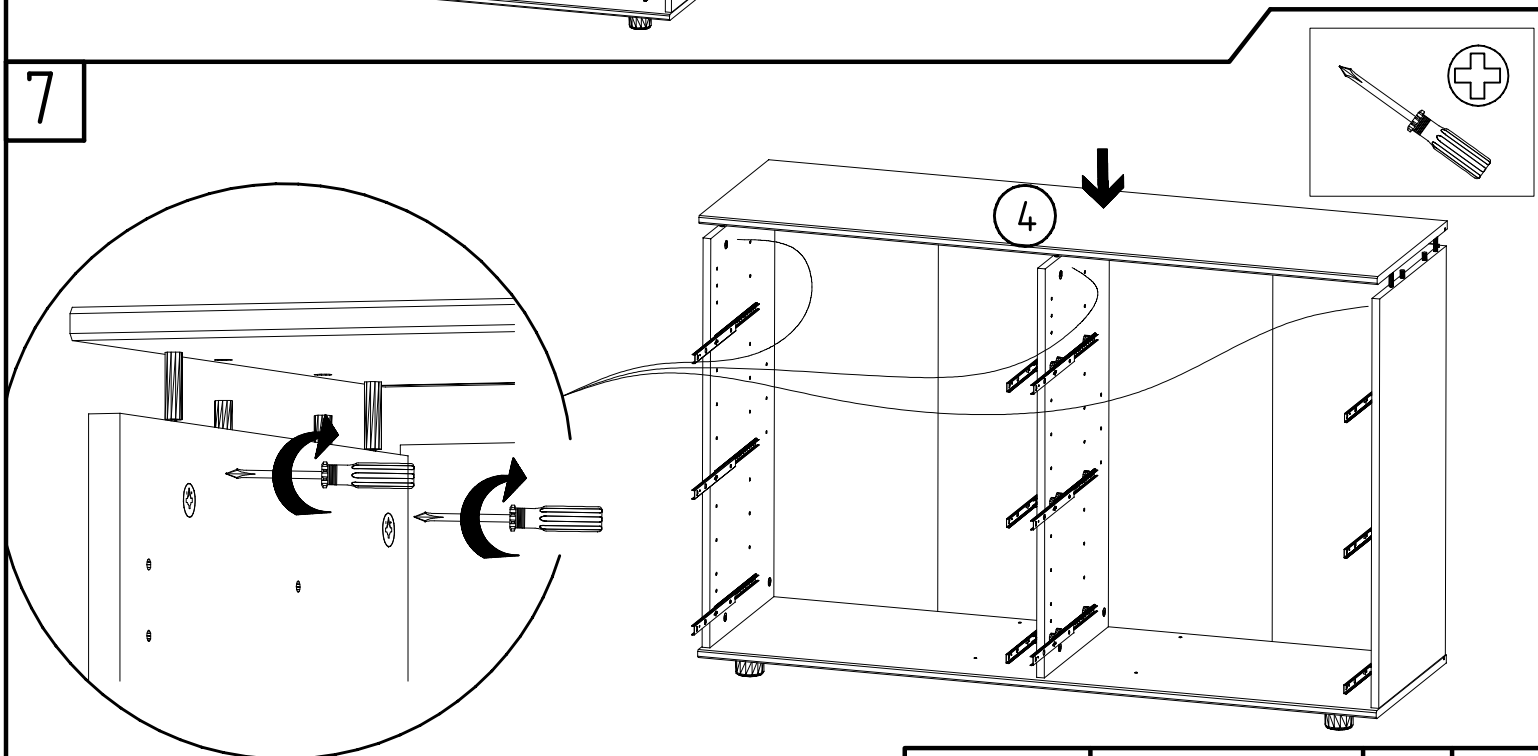
5



6

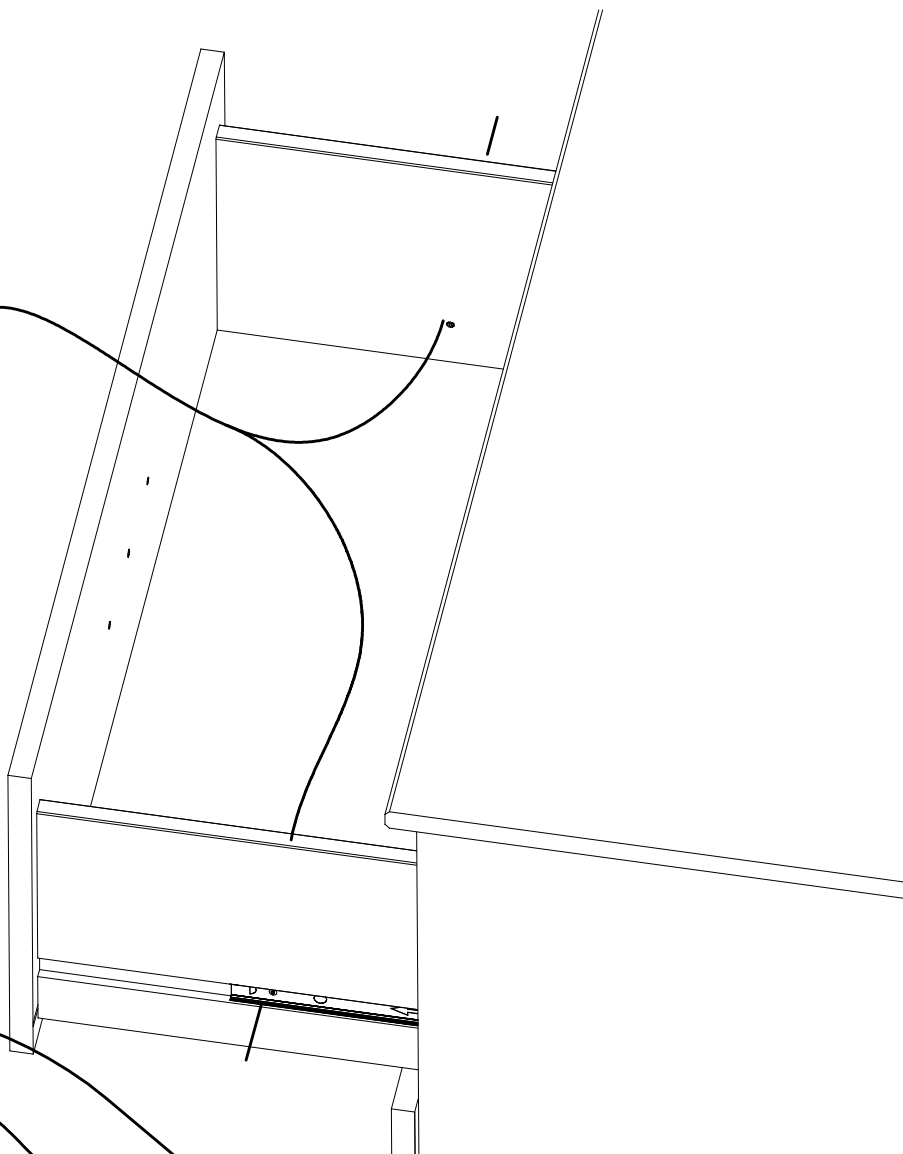
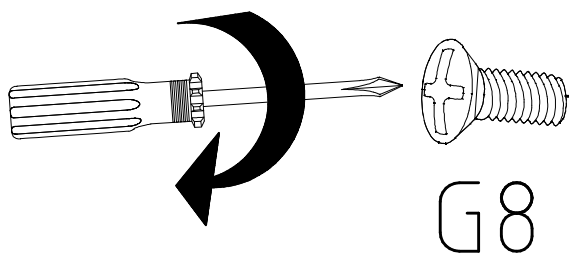
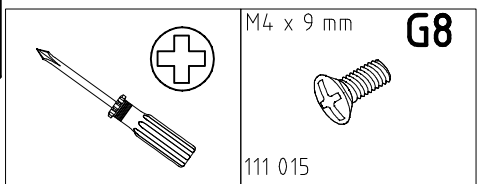


7

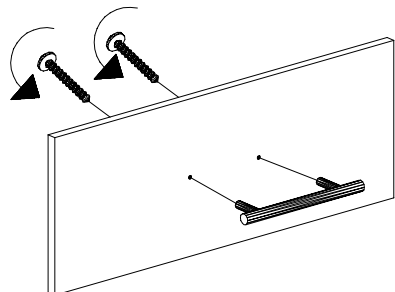
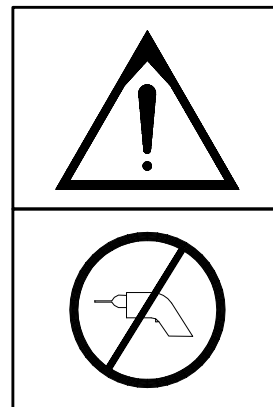
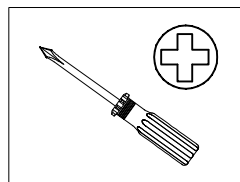
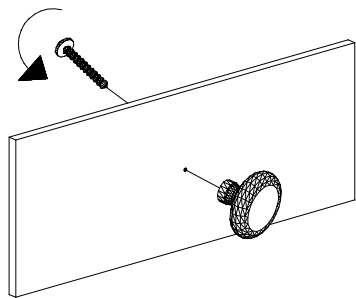
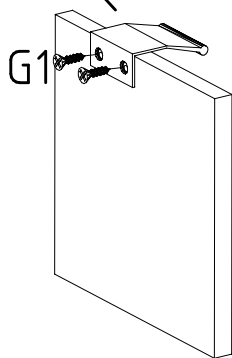
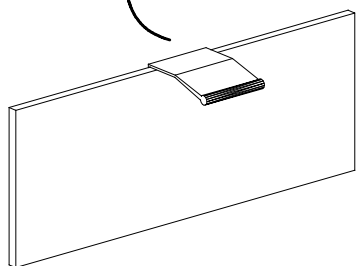




9



10



11

